

Professional Cinema Fixed Frame Screen



User and Set-Up Guide

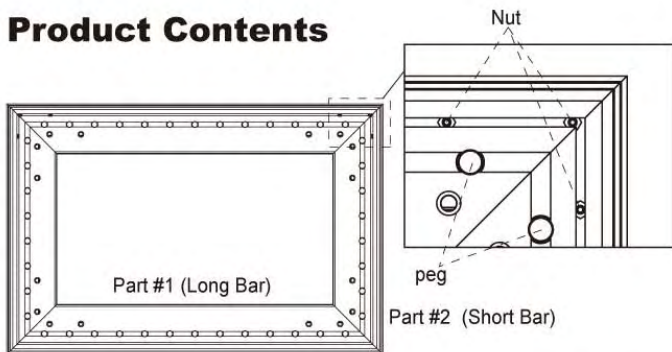
Contents

The following items are included within your fixed frame screen box.

Verify all items are present and prepare a clean working area to begin assembly

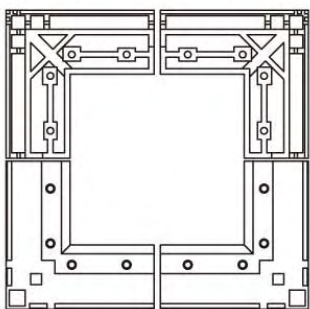
Part	Description	Quantity
#1	Frame (Long Bar)	2
#2	Frame (Short Bar)	2
#3	Elbow Connectors	4
#4	M5*20 Screw And Washer	16
#5	Screen Fabric	1
#6	Hanging Plate	2
#7	M6*22 Screw	6
#8	Bulage Screw	2

Product Contents



Part 3 (Elbow Connectors)

Part 4 (M5*20 Screw And Washer)



Part 5 (Screen Fabric)

Part 6 (Hanging Plate)

Part 7 M6*22 Screw



Part 8 (Bulage Screw)



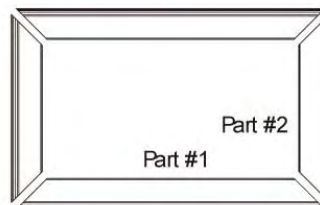
Set-up Instruction



- 1) Assemble the fixed frame screen in a clean environment.
- 2) Professional mounting techniques should be observed. Manufacturer won't be liable for substandard/faulty installations.

1

Unpack everything but the screen fabric and arrange the items nearby. Be careful not to kink or scratch the screen fabric during handling as it could make permanent marks on the fabric.



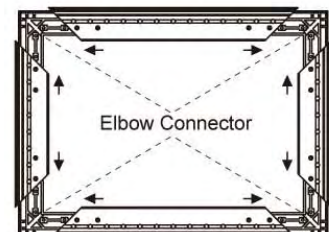
Layout frame (long bar & short bar) with front sides facing down as shown below

Parts used: Frame (part #1/2)

2

Insert all four elbow connectors into the open ends of frame to connect the long bar and short bar together

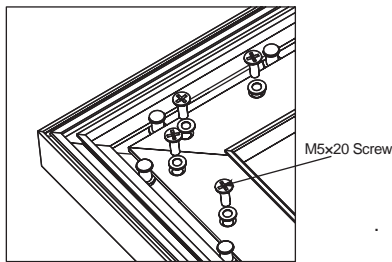
Parts used: Elbow Connectors (part #3), frame



3

With the four sides of the frame connected, insert four M5*20 screws to each corner of the screen as allowed

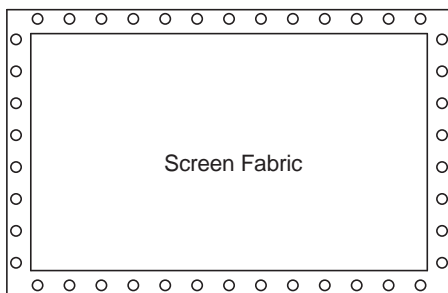
Parts used: M5*20 Screws (part #4), Elbow Connectors, Frame



4

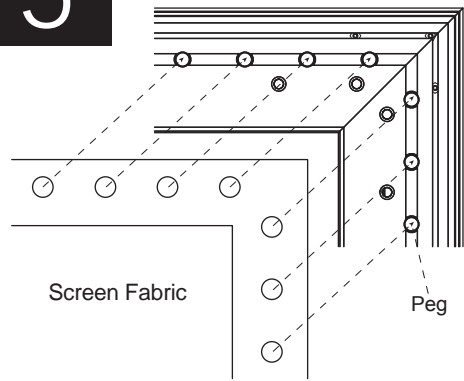
Unroll screen fabric carefully with viewing side down, on a clean surface to avoid scratching the fabric.

Parts used: Screen Fabric (part #5)



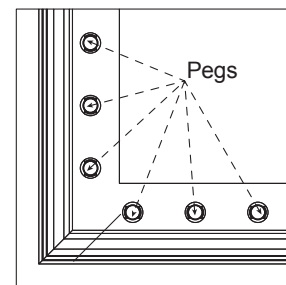
5

Complete two sides of screen by putting eyelet of fabric into pegs on the frame



6

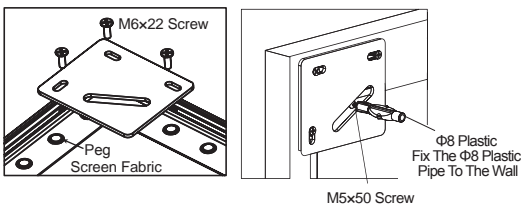
continue to complete the third and fourth sides of frame the far side to the joint edge with proper pulling strength to the ending edge.



7

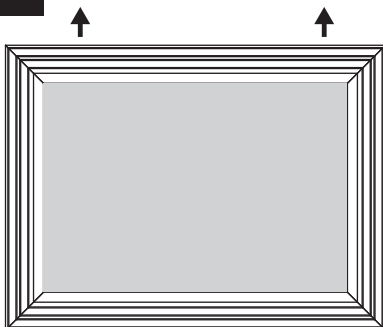
Install screen hangers on to the top corners of the frame. Using M6*22 screw.

Parts used: Hanging Plate (part #6), M6*22 Screw (part #7) Bulage Screw (part #8)



8

The screen is ready for hanging onto the desired wall.



Product Care

- 1) Avoid getting any material on the screen. It may create scratches on the screen permanently.
- 2) Soft brushes with gentle strokes can only be used to remove dust on the screen.
- 3) Use a soft brush to clean the velvet frame and/or back-side of the screen.
- 4) Keep screen away from excessive heat.